



Hardware for Base:

1. Column Rod
2. Top Outside Nut
3. Inside Nut and Lock Washer
4. Bottom Nut and Lock Washer

Top of spyder showing rod and nut flush with spyder




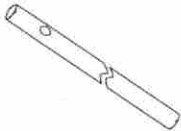

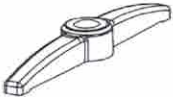






Inside tightening nut and lock washer correctly installed



Column and notch alignment with table spider

Model: AB0603N32ALU

A		6PC
B		2PC
C		2PC
D		2PC
E		1PC
F		2PC
G		4PC
H		4PC
I		2PC
J		16PC

